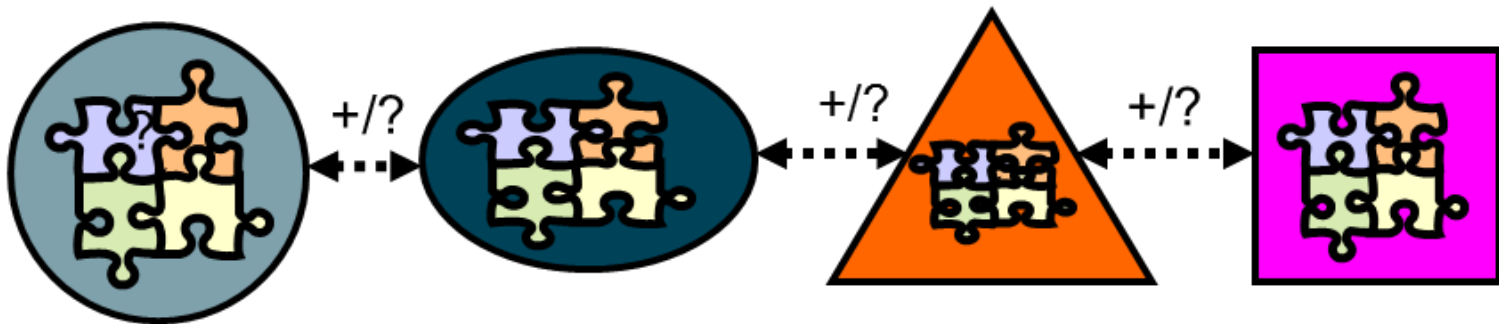
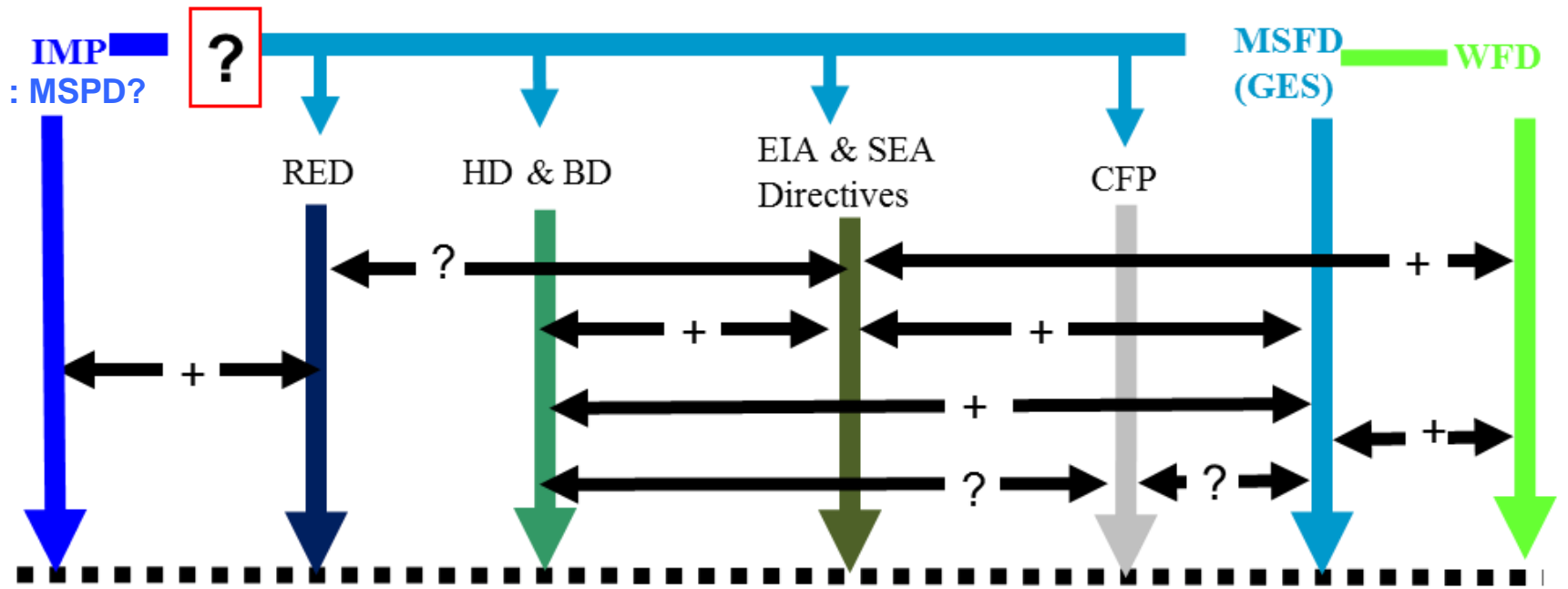


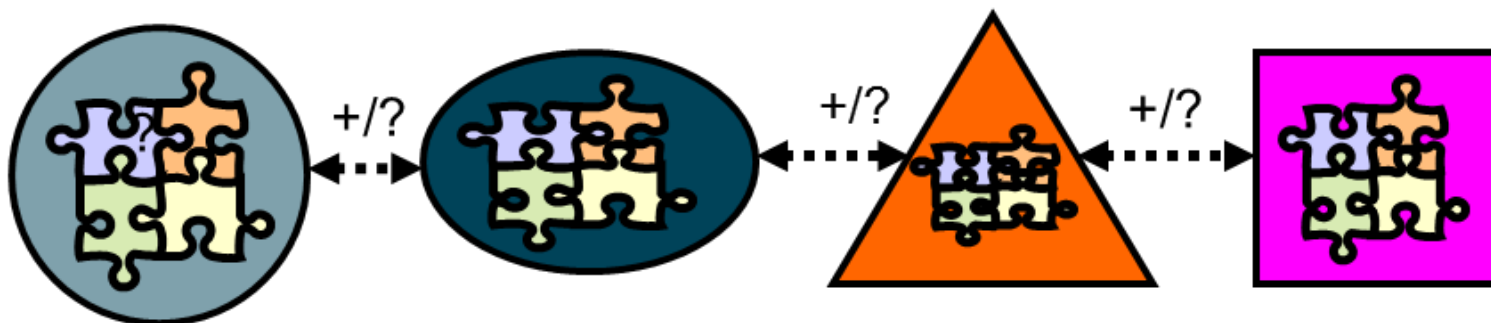
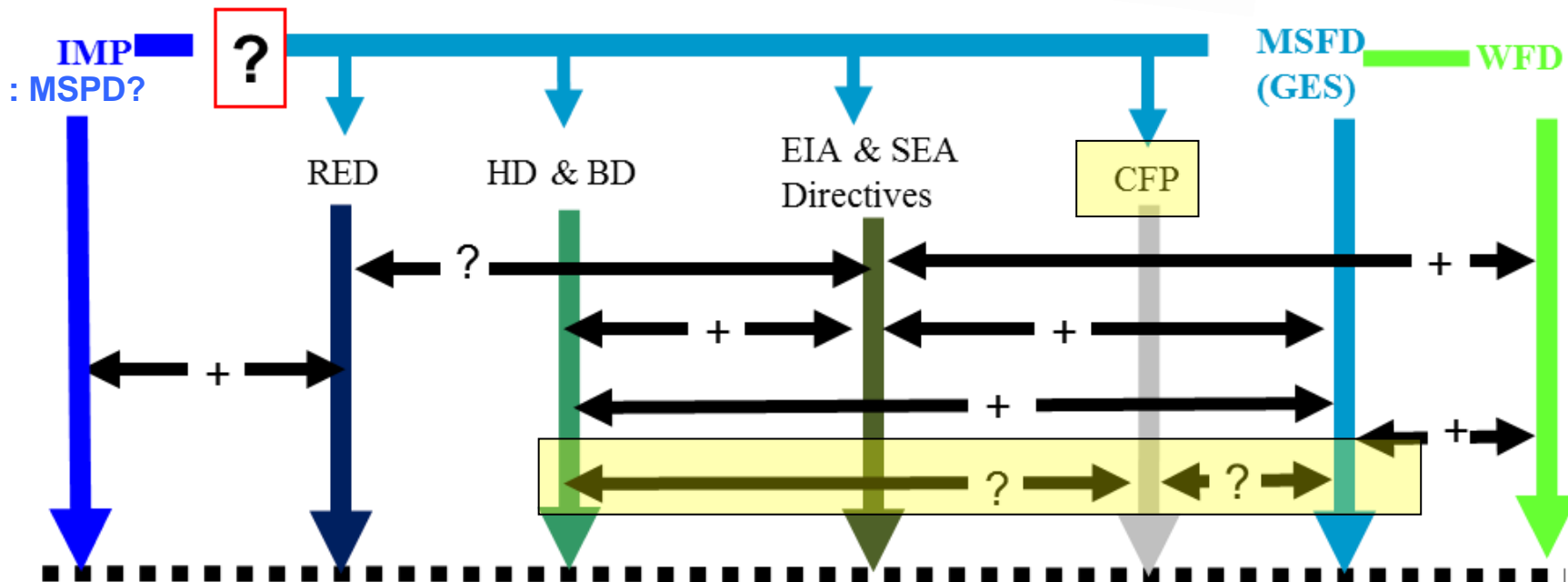
# Marine Spatial Planning – who is at the helm?

Peter JS Jones, Wanfei Qiu and Louise Lieberknecht

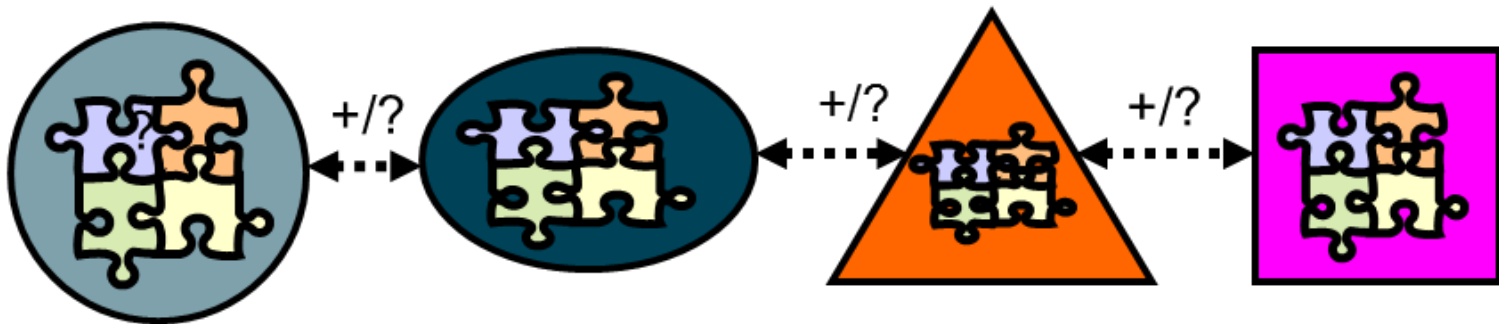
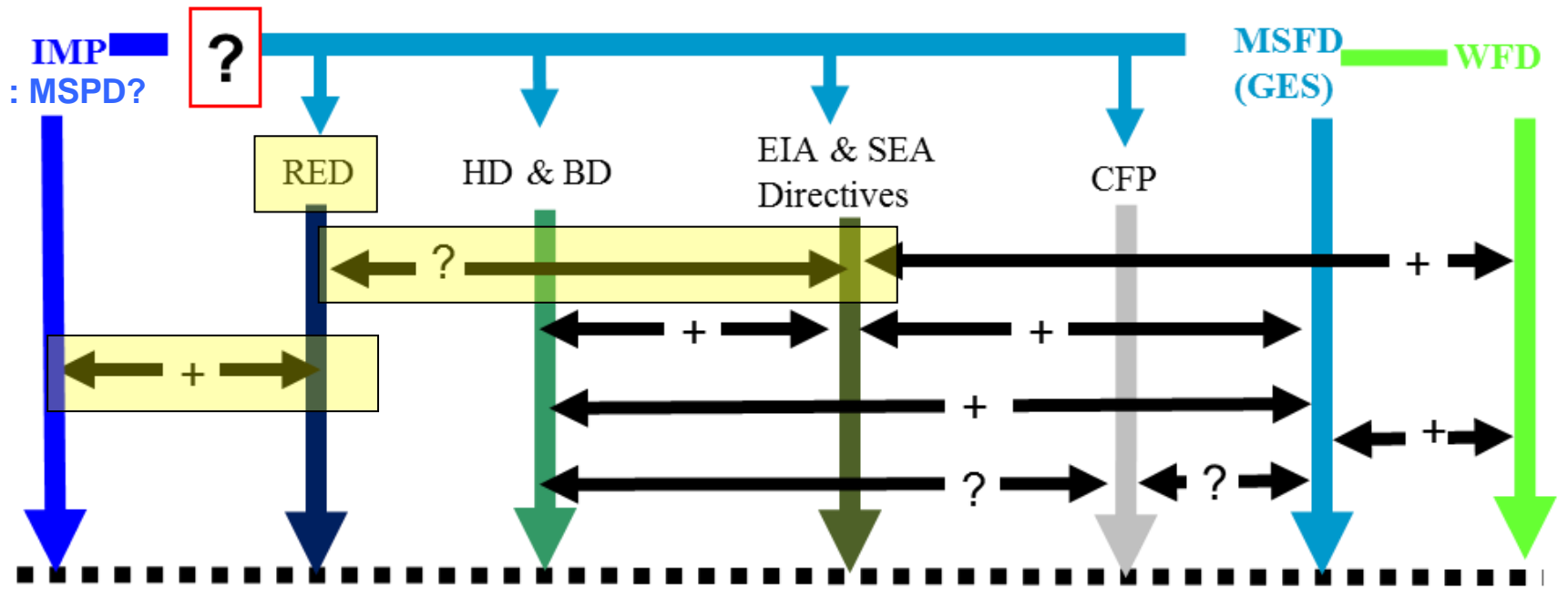




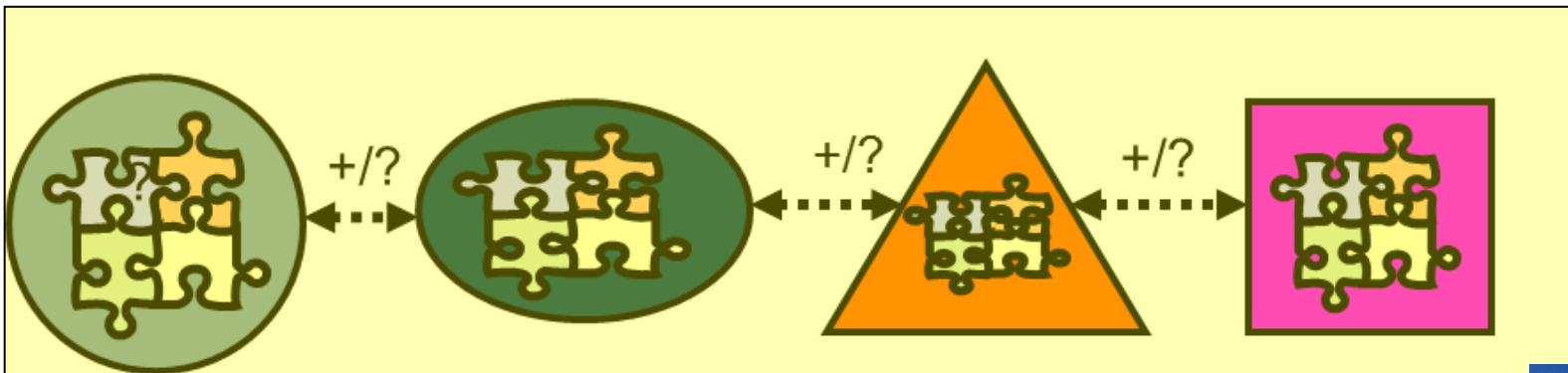
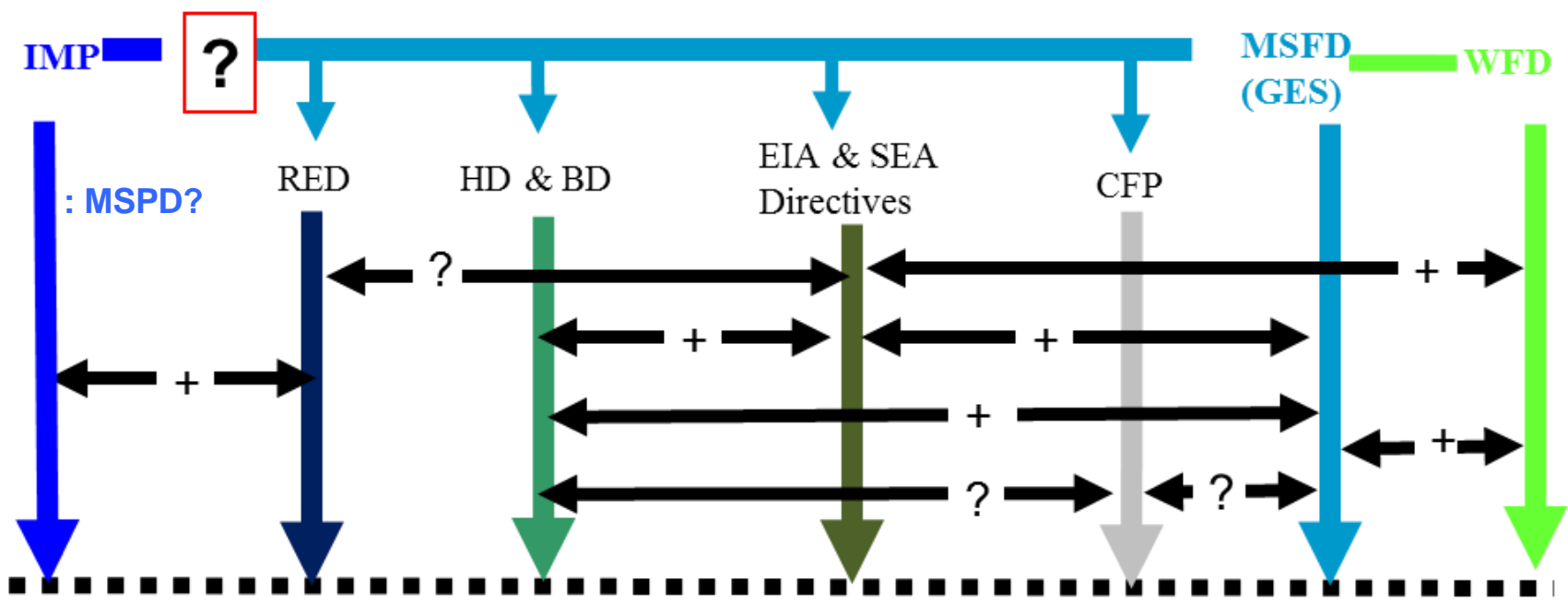
**Member States: different priorities and national interests**



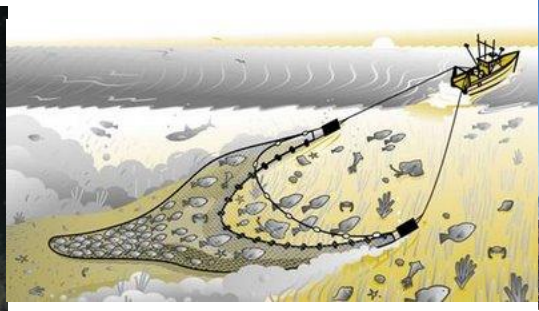
Member States: different priorities and national interests

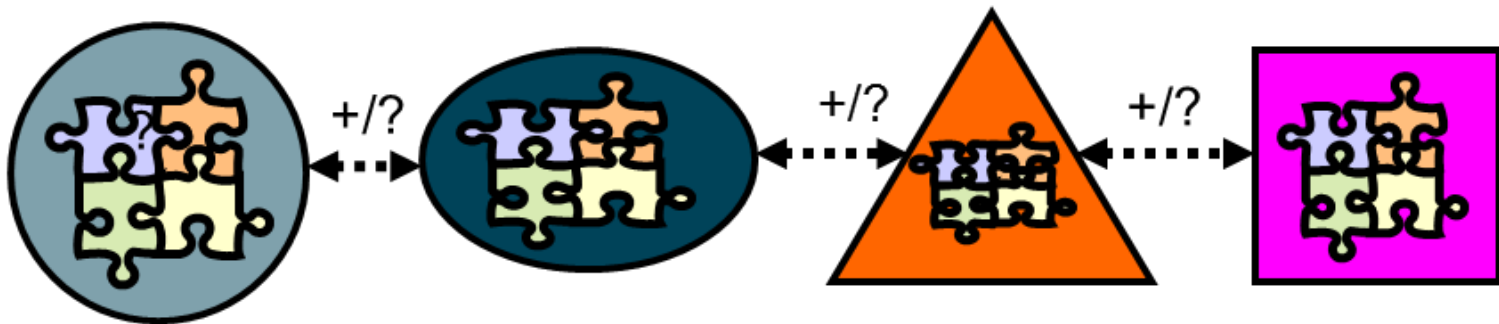
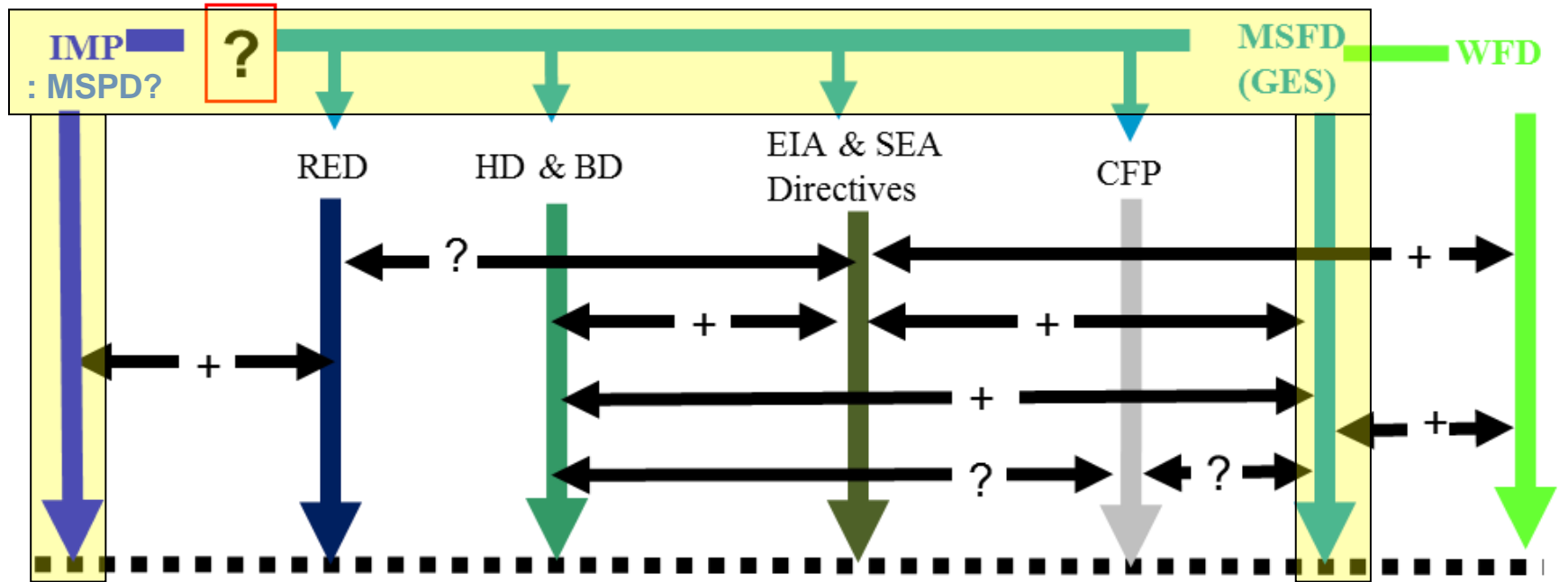


**Member States: different priorities and national interests**



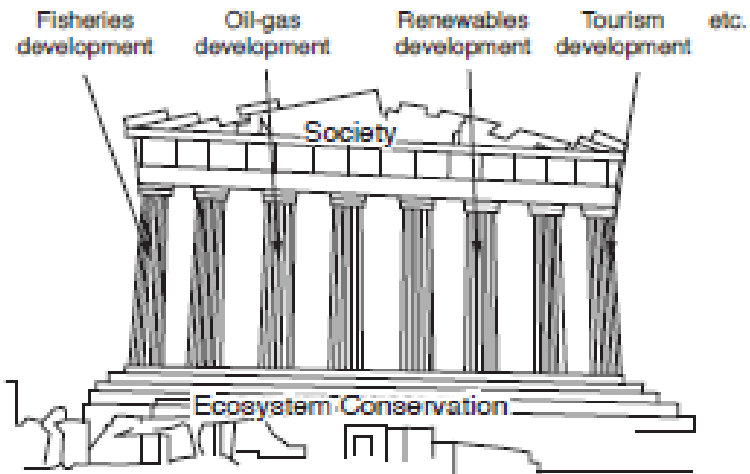
**Member States: different priorities and national interests**



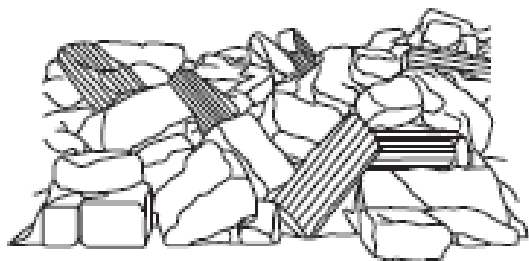


**Member States: different priorities and national interests**

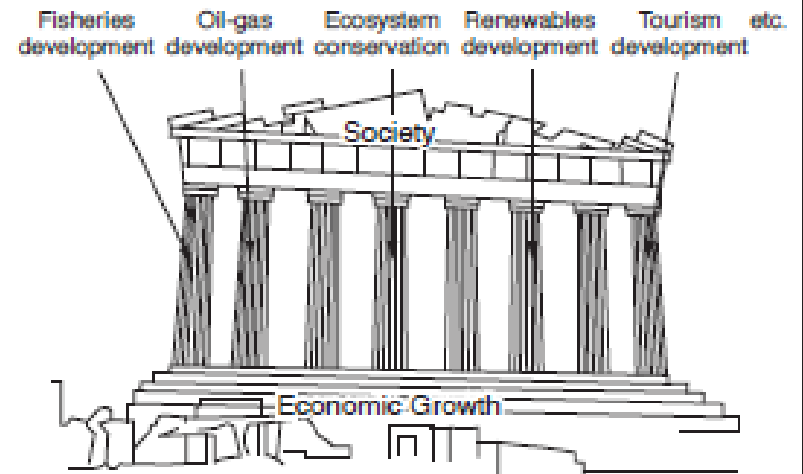
## Ecosystem based MSP - hard sustainability



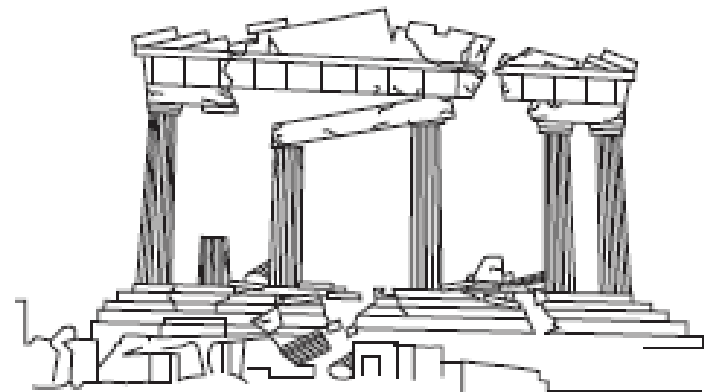
If ecosystems collapse.....



## Integrated use MSP - soft sustainability



If economic sectors and growth collapse.....



***Ecosystem-Based  
Marine Spatial  
Planning (MSFD)***

- Longer-term priorities
- Conservation is the basis for sustainable development
- MPAs as the foundation of EBM
- MSP as a mechanism for achieving 'good environmental status'
- DG Environment

***Integrated-Use  
Maritime Spatial  
Planning (IMP/MSPD)***

- Shorter-term priorities (GDP)
- Economic growth is the basis for sustainable development
- MPAs as a 'sectoral use'
- MSP as a mechanism for achieving 'blue growth'
- DG MARE



***Ecosystem-Based  
Marine Spatial  
Planning (MSFD)***



***Integrated-Use  
Maritime Spatial  
Planning (IMP/MSPD)***

➤ Longer-term priorities

➤ Conservation is the basis for sustainable development

➤ MPAs as the foundation of EBM

➤ MSP as a mechanism for achieving 'good environmental status'

➤ DG Environment

➤ Shorter-term priorities (GDP)

➤ Economic growth is the basis for sustainable development

➤ MPAs as a 'sectoral use'

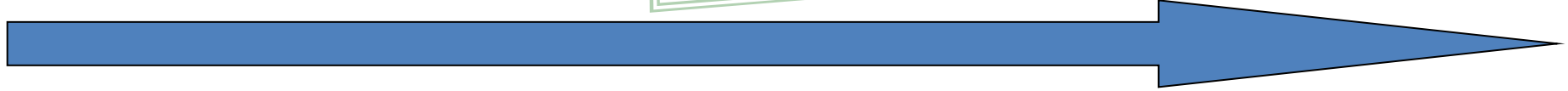
➤ MSP as a mechanism for achieving 'blue growth'

➤ DG MARE

***Ecosystem-Based  
Marine Spatial  
Planning (MSFD)***



***Integrated-Use  
Maritime Spatial  
Planning (IMP/MSPD)***



➤ Longer-term priorities

➤ Conservation is the basis for sustainable development

➤ MPAs as the foundation of EBM

➤ MSP as a mechanism for achieving 'good environmental status'

➤ DG Environment

➤ Shorter-term priorities (GDP)

➤ Economic growth is the basis for sustainable development

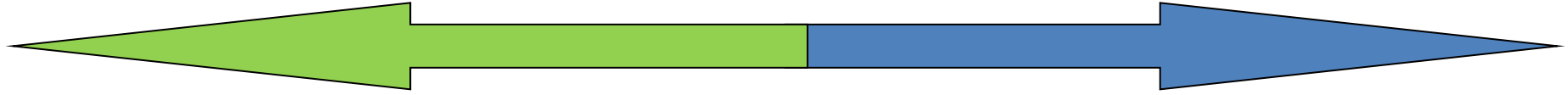
➤ MPAs as a 'sectoral use'

➤ MSP as a mechanism for achieving 'blue growth'

➤ DG MARE

***Ecosystem-Based  
Marine Spatial  
Planning (MSFD)***

***Integrated-Use  
Maritime Spatial  
Planning (IMP/MSPD)***



- Longer-term priorities
- Conservation is the basis for sustainable development
- MPAs as the foundation of EBM
- MSP as a mechanism for achieving 'good environmental status'
- DG Environment

- Shorter-term priorities (GDP)
- Economic growth is the basis for sustainable development
- MPAs as a 'sectoral use'
- MSP as a mechanism for achieving 'blue growth'
- DG MARE

# What's in a name?

## Marine Strategy Framework Directive

*Of, found in, or produced by the sea:  
"marine plants"; "marine biology"*

Based on **ecocentric** values

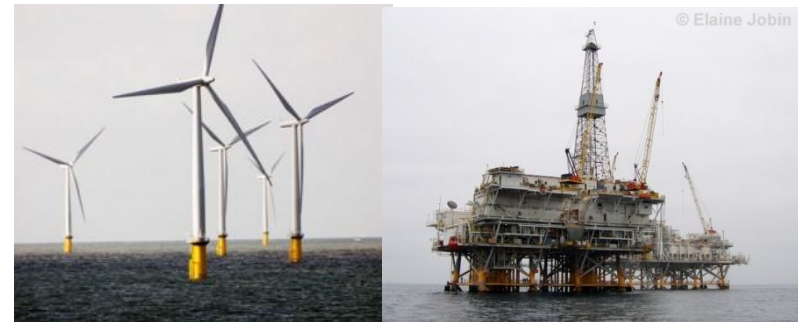


## Integrated Maritime Policy,

## Maritime Spatial Planning Directive

*Connected with the sea, especially in  
relation to seafaring, commercial or  
military activity*

Based on **utilitarian** values



# Underlying value conflicts?



# Marine Strategy Framework Directive

Economic development activities can go ahead for “**reasons of overriding public interest which outweigh the negative impact on the environment**”, though such activities should not “preclude or compromise the achievement of GES” (Article 14)



# Maritime Spatial Planning Directive

“Member States shall consider economic, social and environmental aspects to support sustainable development and growth in the maritime sector, applying an ecosystem- based approach, and to promote the coexistence of relevant activities and uses” (Article 5).....but the obligation to achieve GES is only mentioned in passing in the recitals to the MSP Directive and was removed from Article 5  
so



**In reality, is ‘blue growth’ the objective that other objectives have to be integrated with.. so DG MARE is at the helm..**

**or is ‘good environmental status’ the objective that other objectives have to be integrated with?.. so DG Environment is at the helm (MSFD = Framework)**



**i.e. what is the dominant driver of decision-making in MSP? Depends on the context and the Member State priorities?**

**Recognising subsidiarity, there are different courses that different member states may wish to prioritise, i.e. different priorities between member states.**

**Within member states there are different priorities amongst different sectors.**





**How can integrated use MSP and ecosystem-based MSP be reconciled?**

**What role will the reformed CFP play in MSP: will it follow its own course or contribute to integrated-use MSP and/or ecosystem-based MSP?**

**EC is steering member states in different directions:  
How can these directions be reconciled? Will they be reconciled?**

**.... or can MSs choose which direction they will go?  
i.e. economic development....**